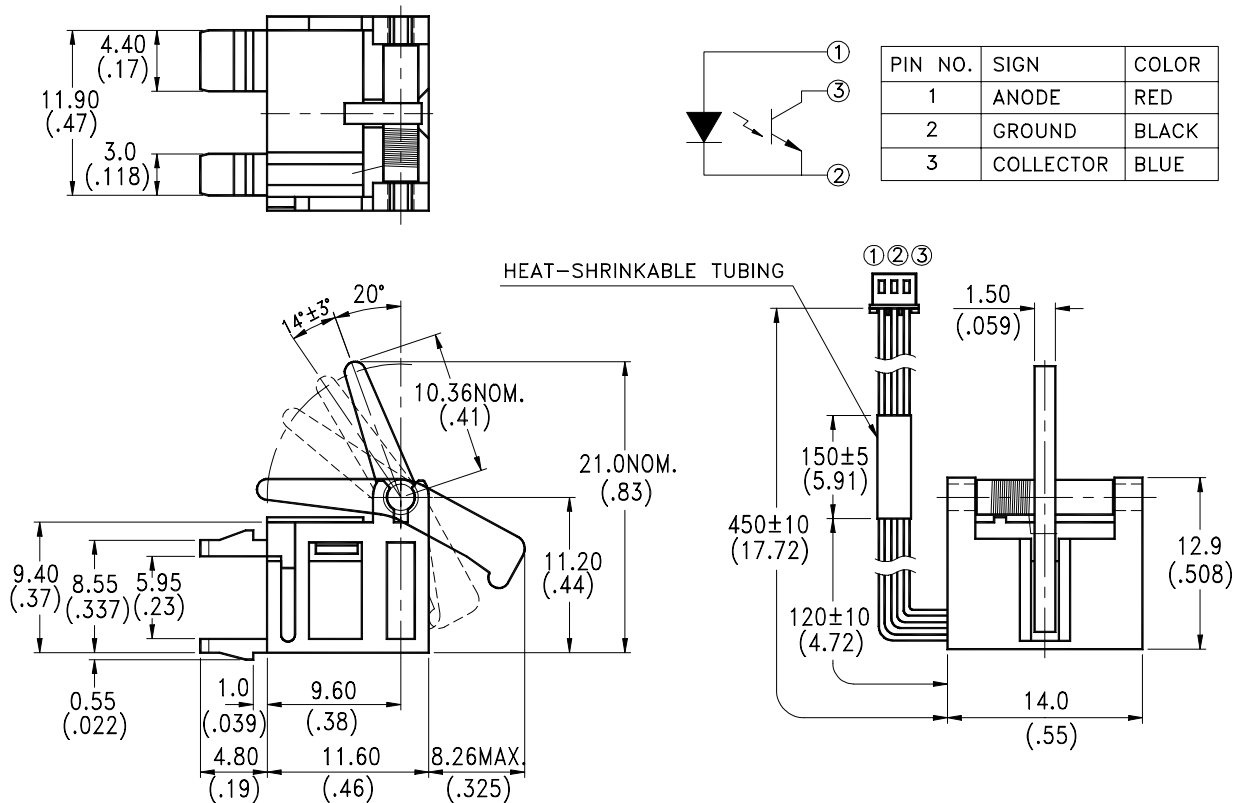


## FEATURES

- \* SNAP MOUNTING.
- \* MECHANICAL SWITCH REPLACEMENT.
- \* WIRE OR CONNECTOR FOR ELECTRICAL CONNECTION.
- \* CUSTOMIZED LEVER ARM CAN BE DESIGNED FOR SPECIFIC APPLICATION.

## PACKAGE DIMENSIONS



### NOTES:

1. All dimensions are in millimeters (inches).
2. Tolerance is  $\pm 0.25\text{mm}(.010\text{'})$  unless otherwise noted.

## ABSOLUTE MAXIMUM RATINGS AT TA=25

PARAMETER	SYMBOL	MAXIMUM RATING	UNIT
<b>INPUT LED</b>			
Power Dissipation	$P_D$	75	mW
Peak Forward Current ( 300 pps , 10 $\mu$ S pulse)	$I_{CP}$	1	A
Continuous Forward Current	$I_F$	60	mA
Reverse Voltage	$V_R$	5	V
<b>OUTPUT PHOTOTRANSISTOR</b>			
Power Dissipation	$P_C$	100	mW
Collector-Emitter Voltage	$V_{CEO}$	30	V
Emitter-Collector Voltage	$V_{ECO}$	5	V
Collector Current	$I_C$	20	mA
Operating Temperature Range	$T_{opr}$	-20 to + 75	
Storage Temperature Range	$T_{stg}$	-40 to + 85	

## ELECTRICAL OPTICAL CHARACTERISTICS AT $T_A=25$

PARAMETER	SYMBOL	MIN.	TYP.	MAX.	UNIT	TEST CONDITION
<b>INPUT LED</b>						
Forward Voltage	$V_F$		1.2	1.6	V	$I_F = 20\text{mA}$
Reverse Current	$I_R$			100	$\mu\text{A}$	$V_R=5\text{V}$
<b>OUTPUT PHOTOTRANSISTOR</b>						
Collector-Emitter Dark Current	$I_{CEO}$			100	nA	$V_{CE}=10\text{V}$
<b>COUPLER</b>						
Collector-Emitter Saturation Voltage	$V_{CE(SAT)}$			0.4	V	$I_C=0.25\text{mA}$ $I_F=20\text{mA}$
On State Collector Current	$I_{C(ON)}$	0.5			mA	$V_{CE}=5\text{V}$ $I_F=20\text{mA}$

## TYPICAL ELECTRICAL / OPTICAL CHARACTERISTICS CURVES

(25 Ambient Temperature Unless Otherwise Noted)

Fig.1 Power Dissipation vs. Ambient Temperature

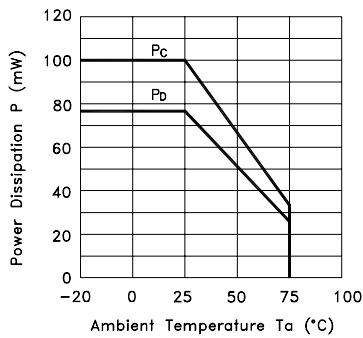


Fig.2 Forward Current vs. Forward Voltage

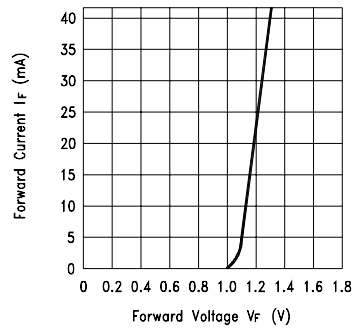


Fig.3 Collector Current vs. Collector-emitter Voltage

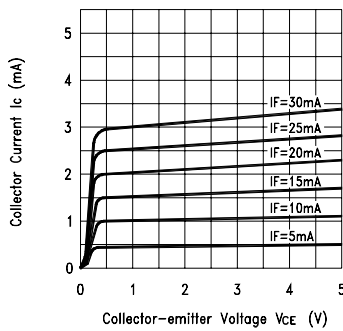


Fig.4 Collector Current vs. Ambient Temperature

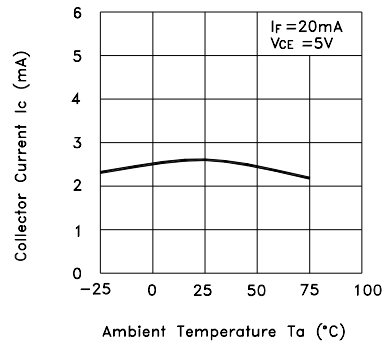


Fig.5 Collector-emitter Saturation Voltage vs. Ambient Temperature

